

FIG. 1

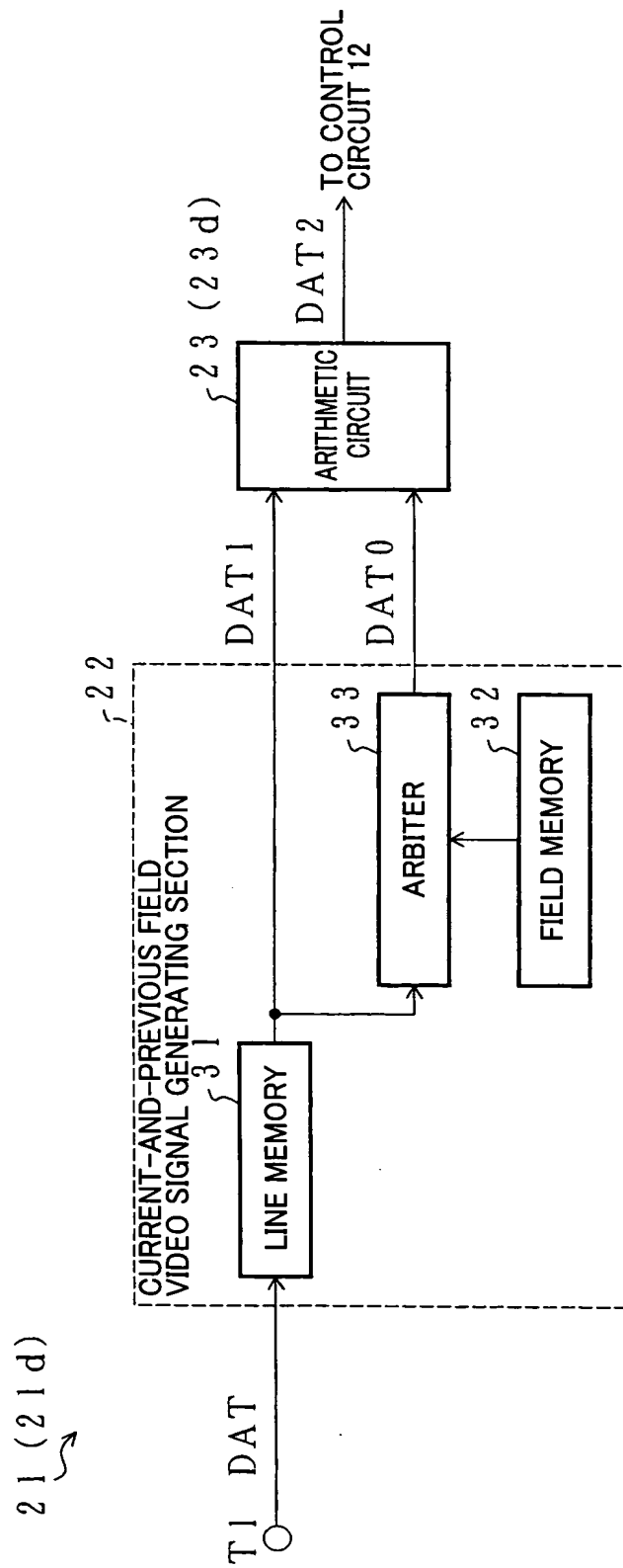


FIG. 2

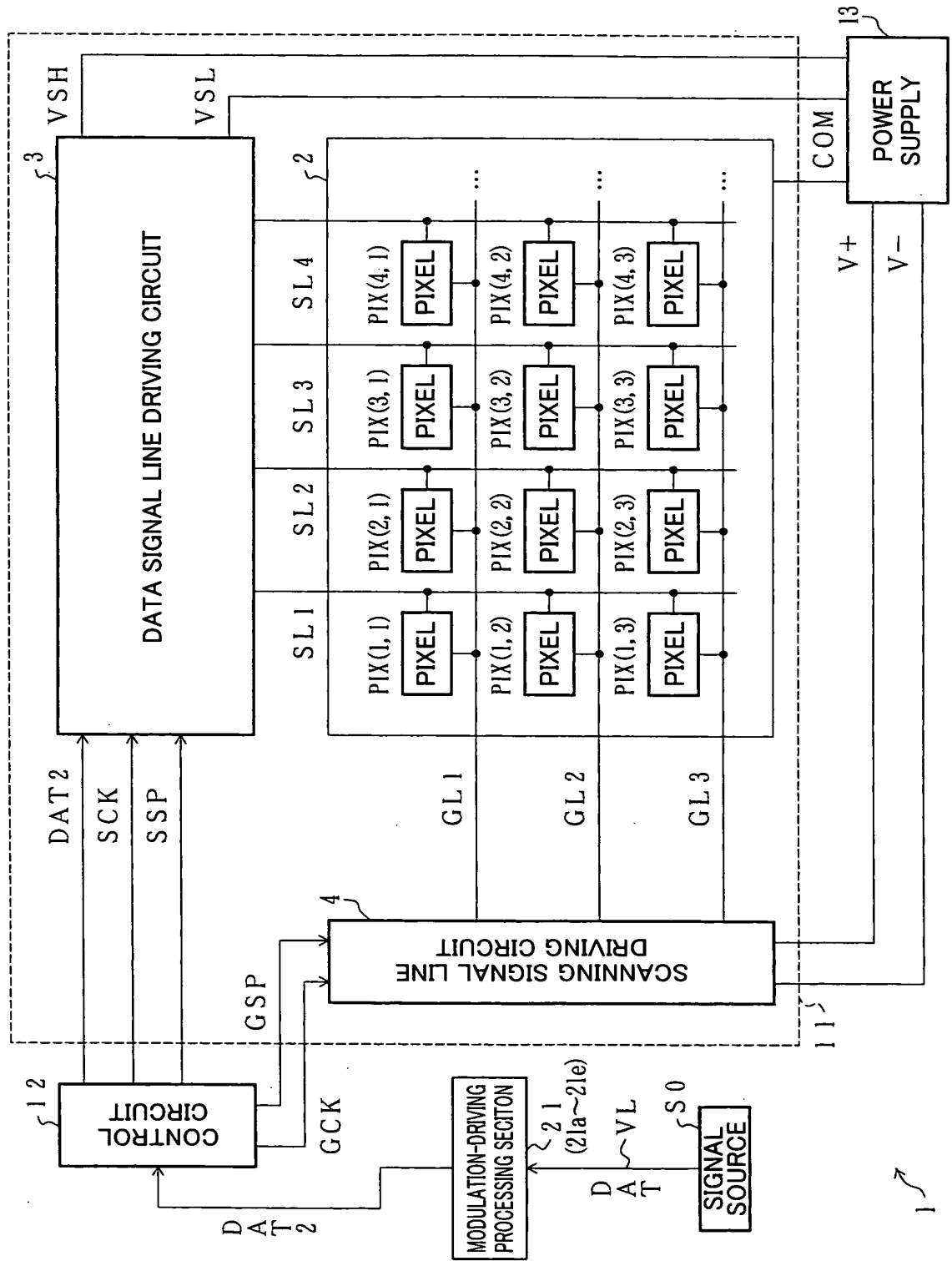


FIG. 3

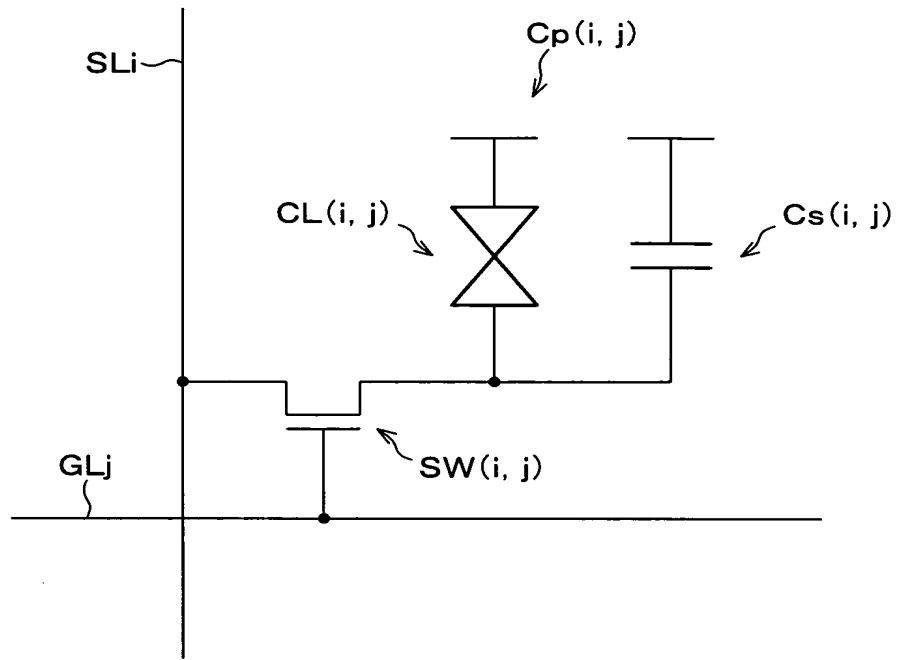


FIG. 4

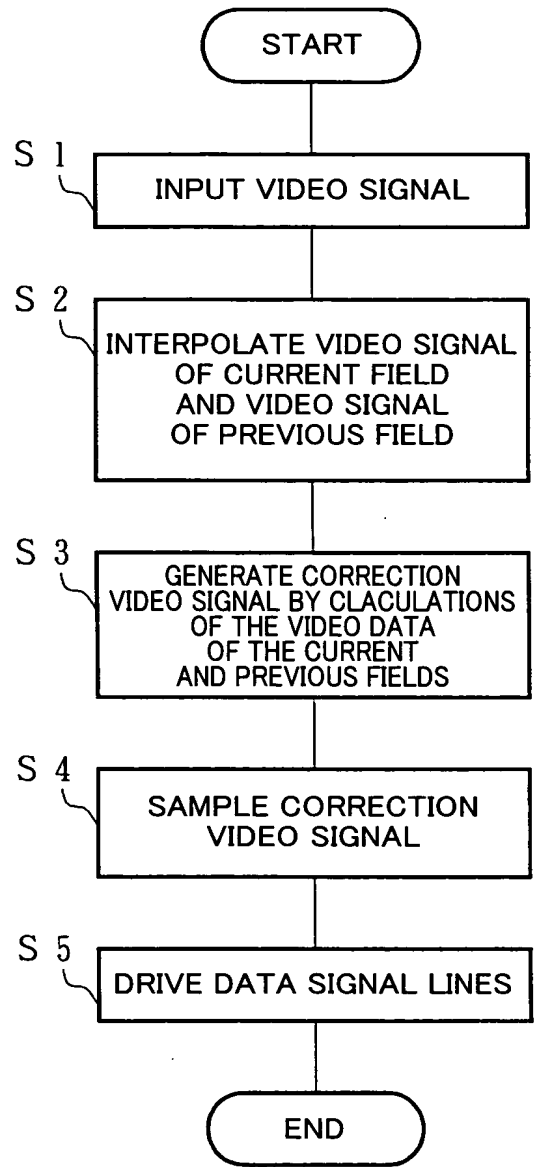


FIG. 5

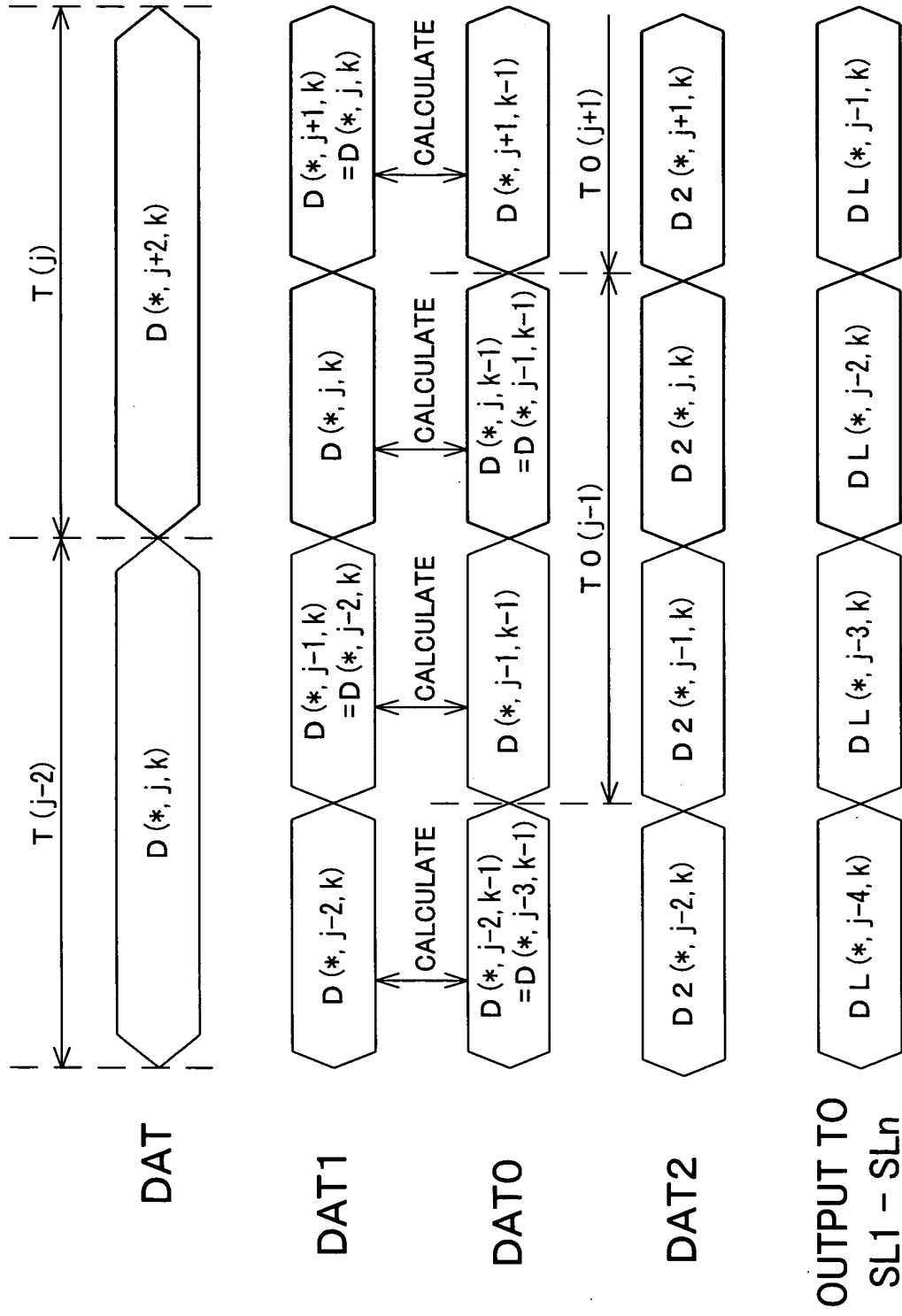


FIG. 6

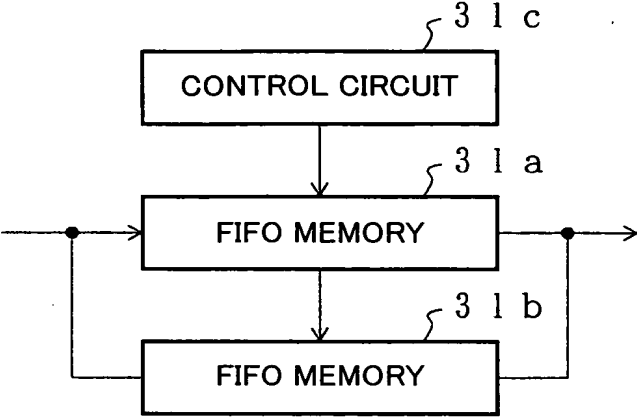


FIG. 7

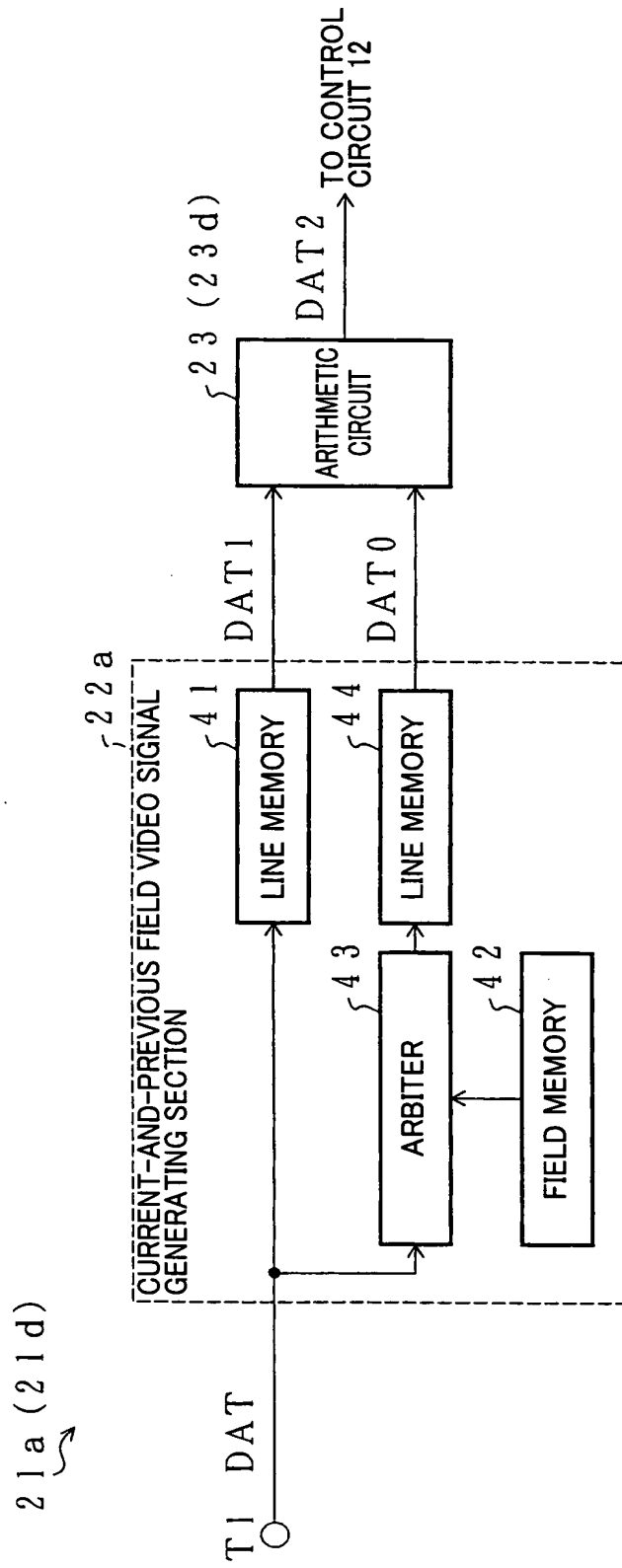


FIG. 8

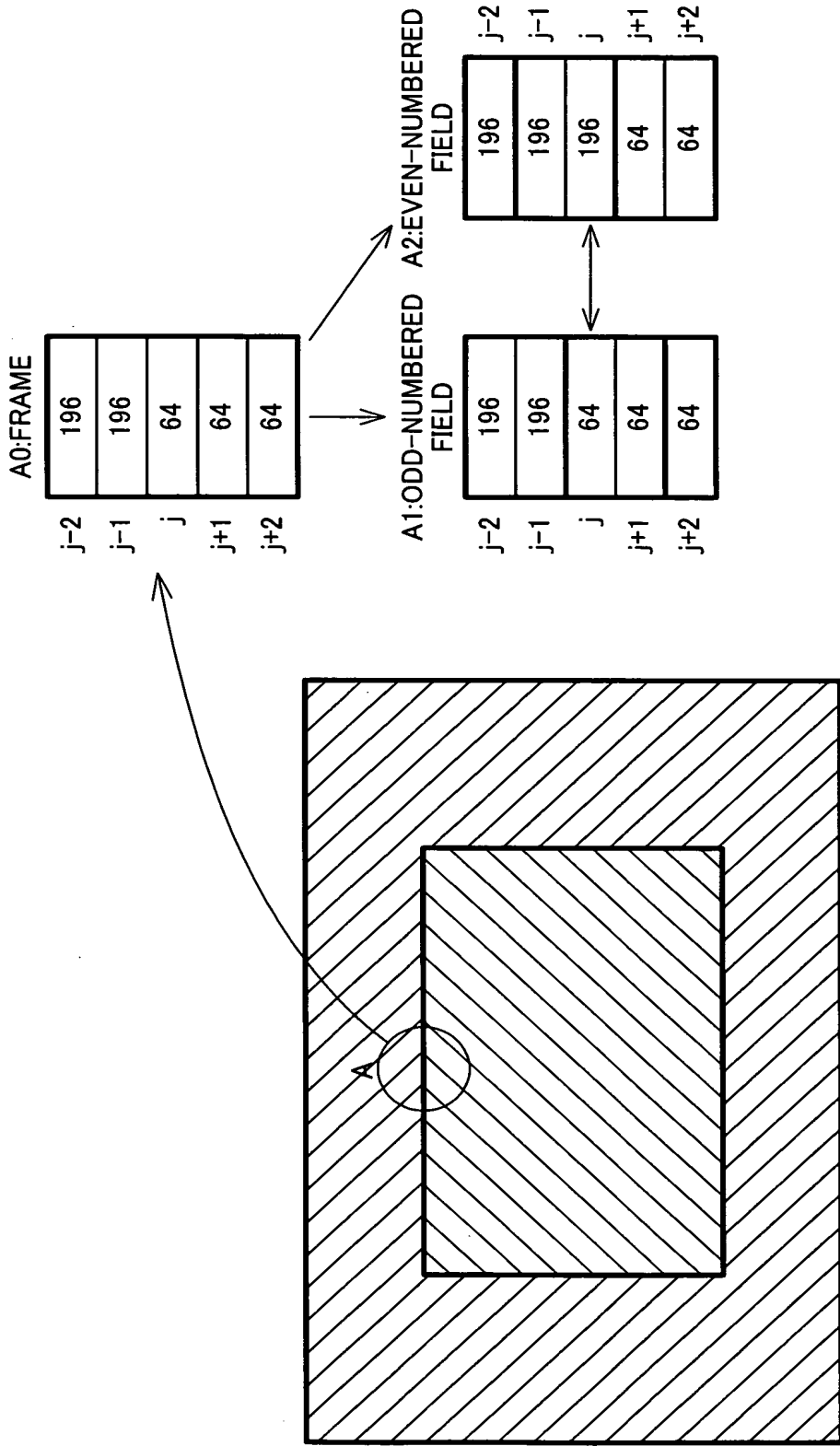


FIG. 9

21b

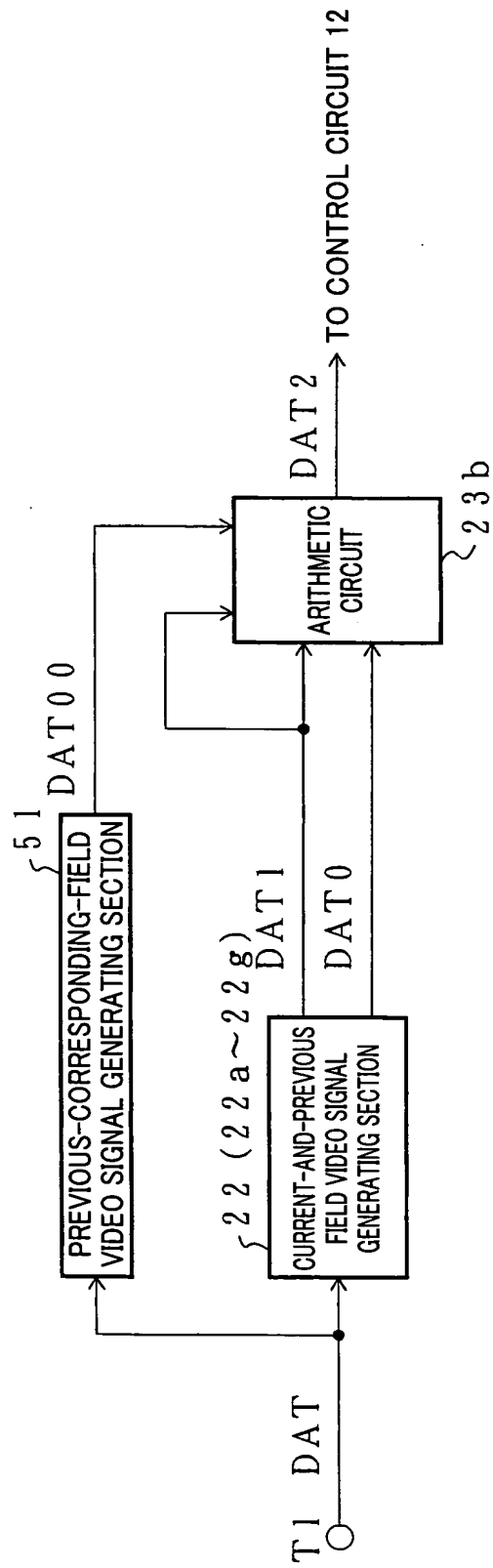


FIG. 10

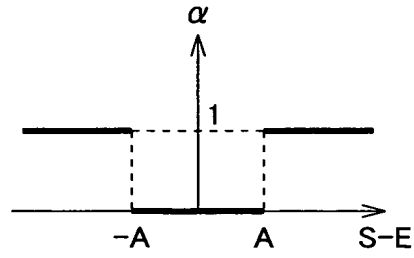


FIG. 11

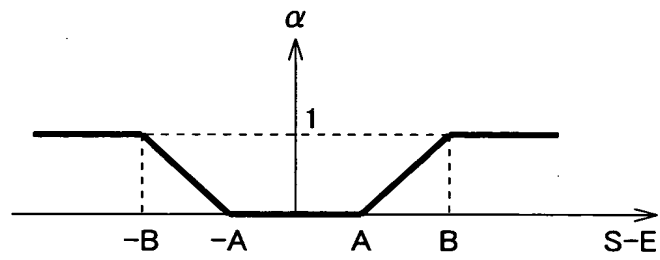


FIG. 12

21b

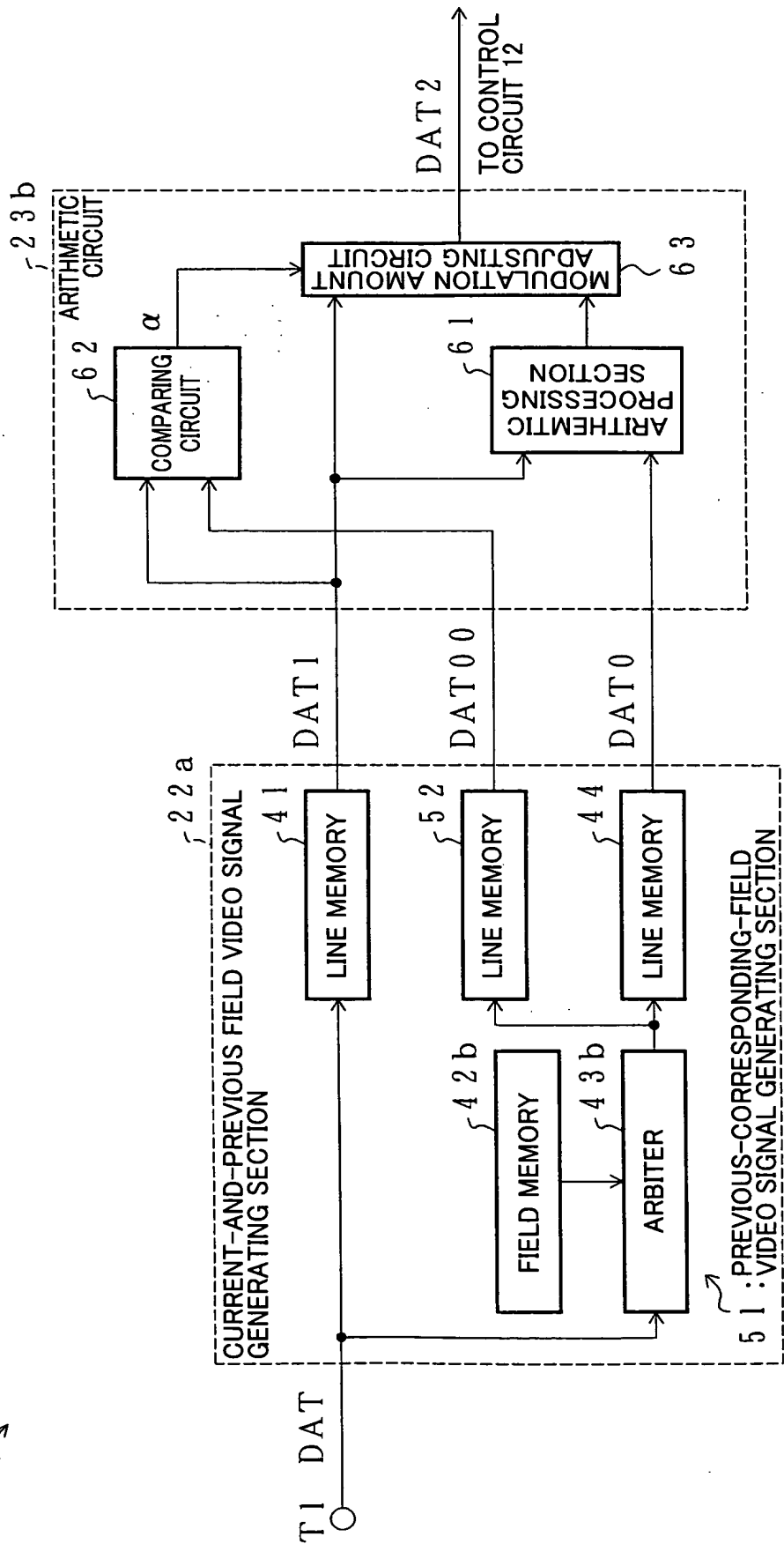


FIG. 13

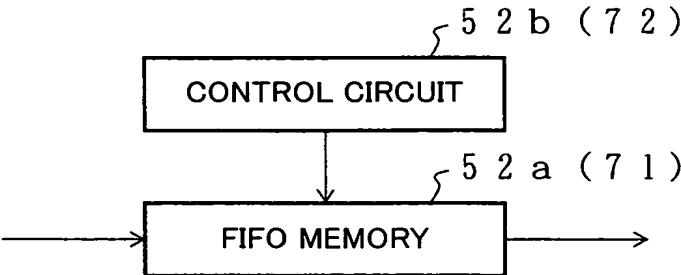


FIG. 14

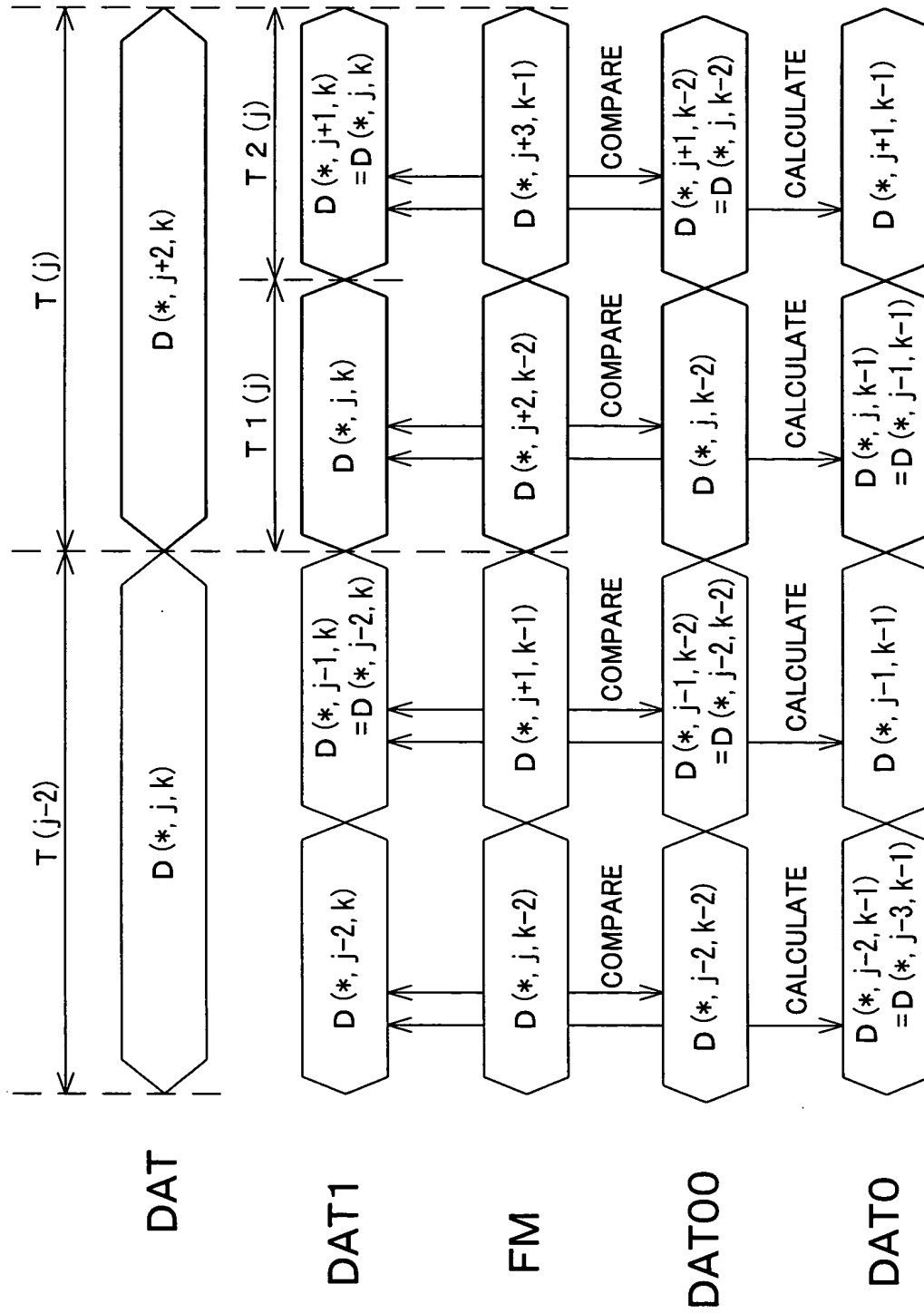


FIG. 15

21c

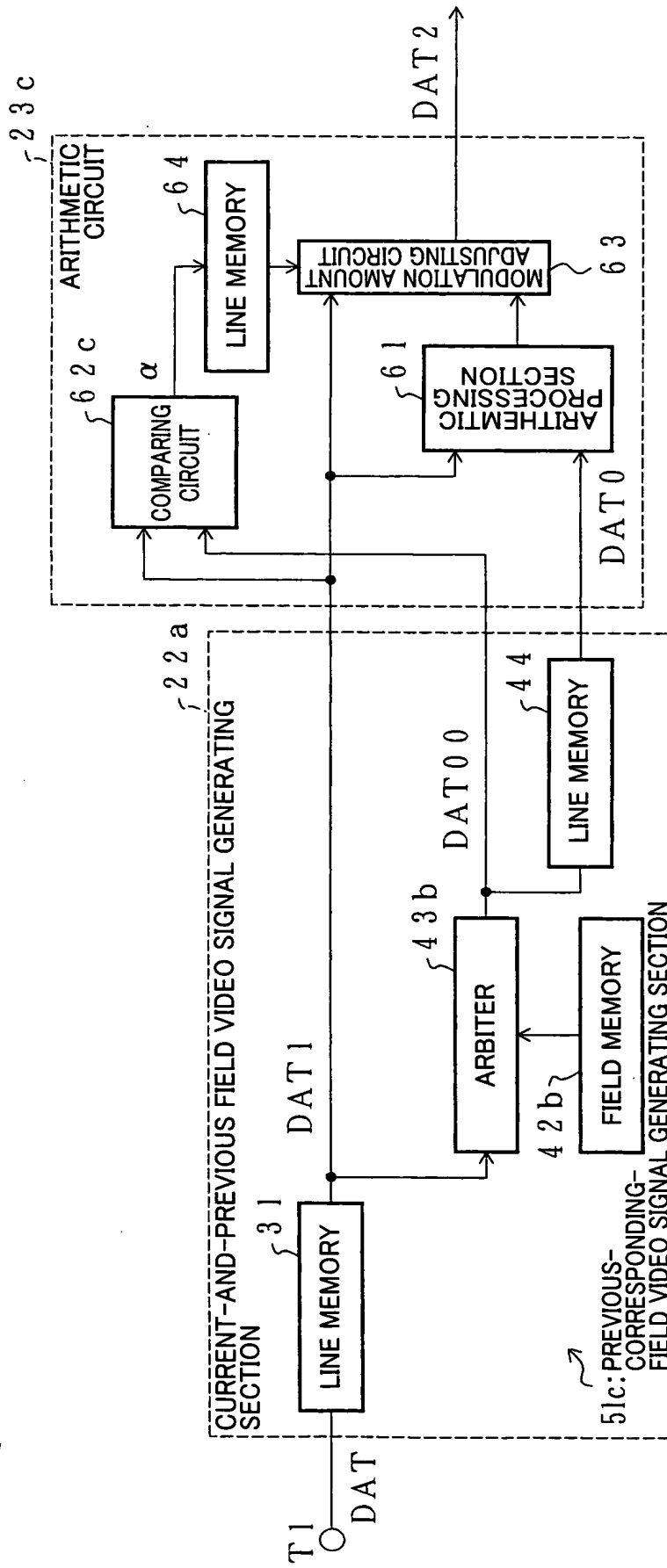


FIG. 16

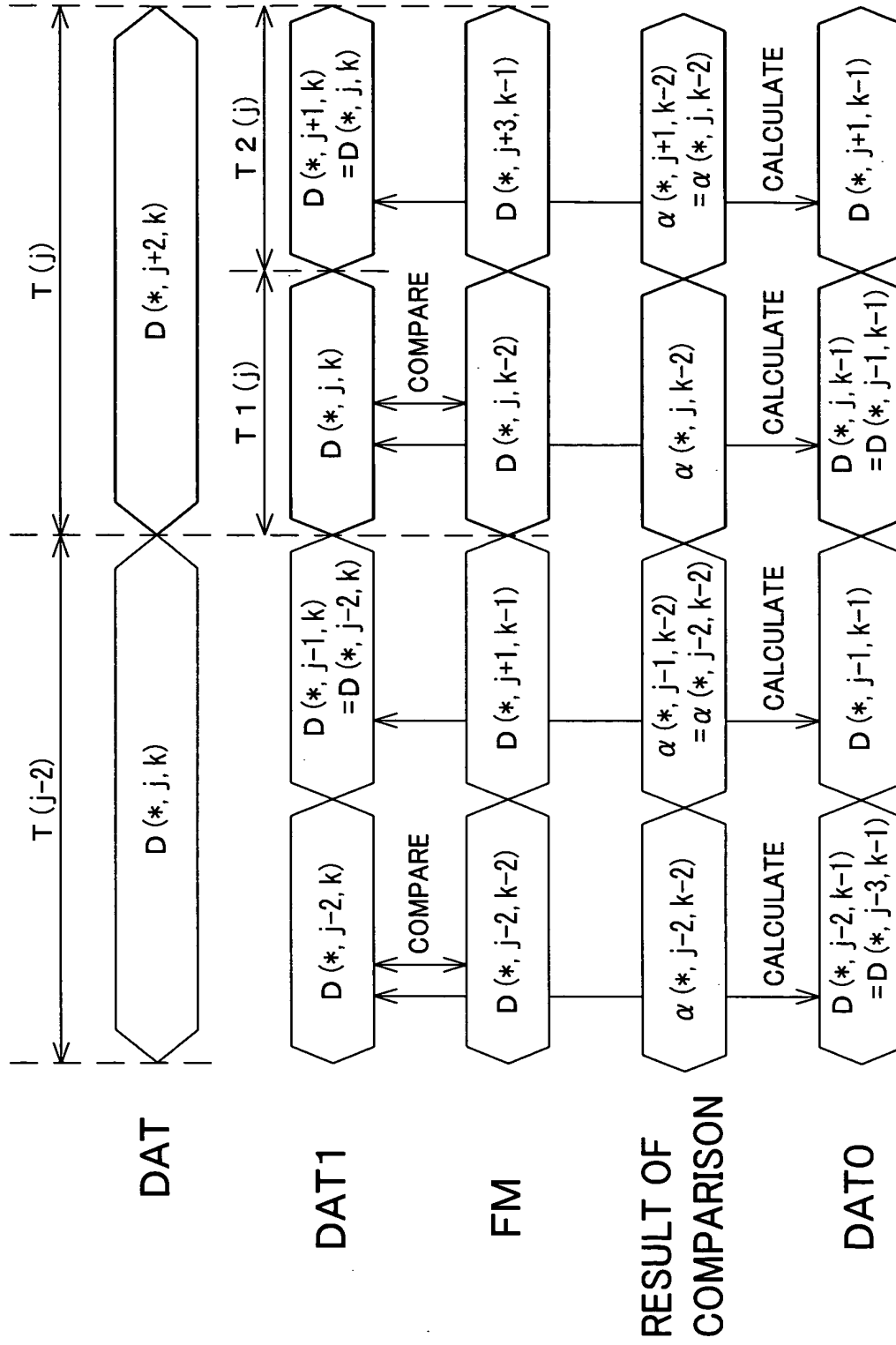


FIG. 17

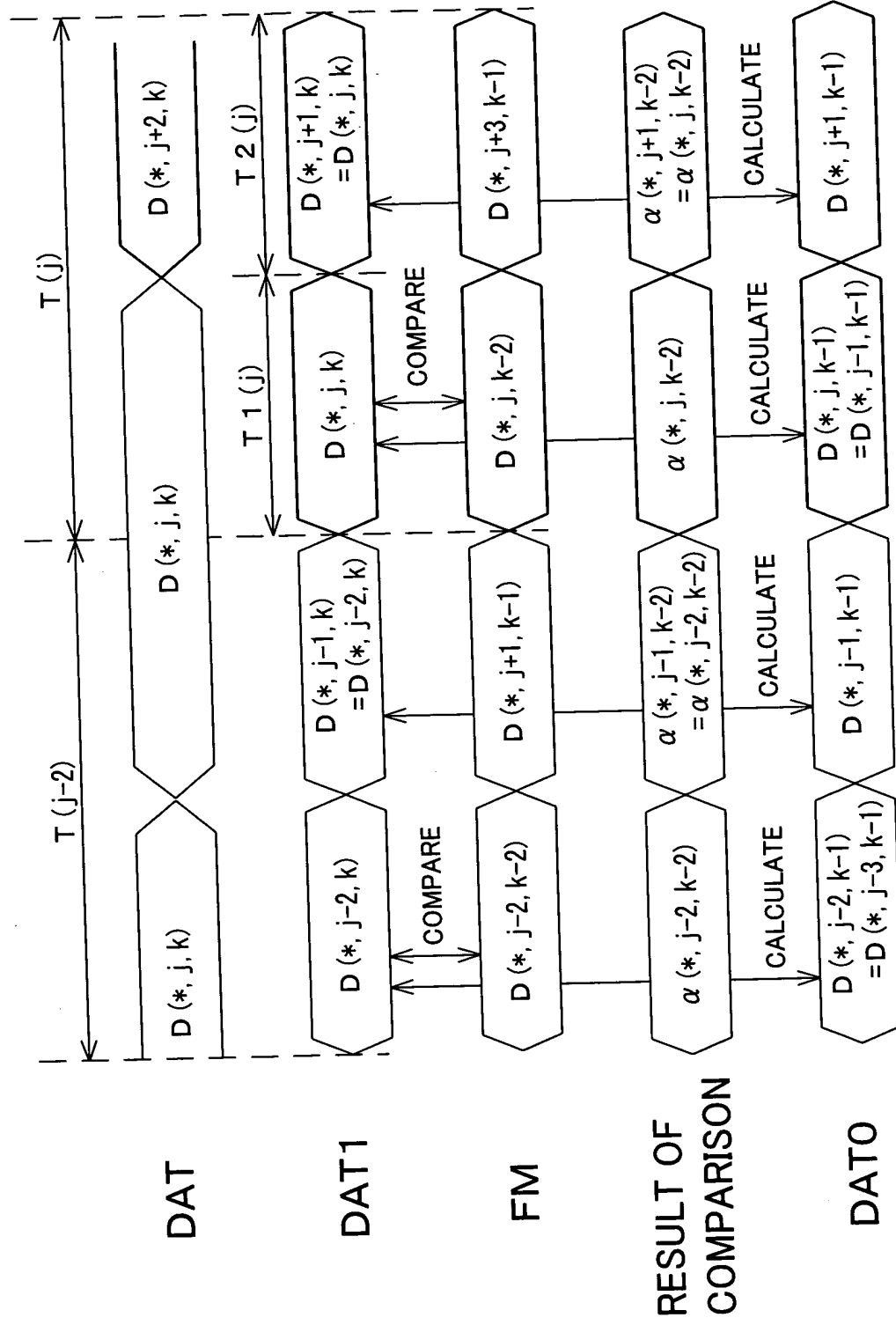


FIG. 18

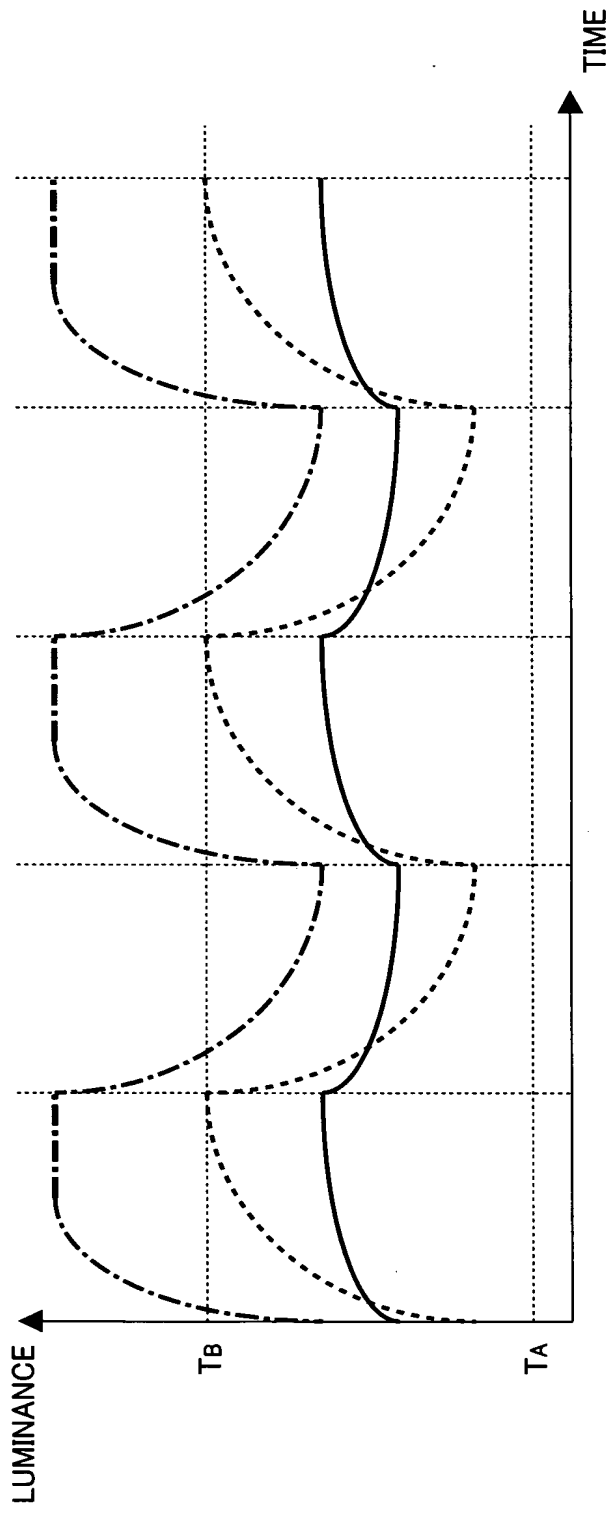


FIG. 19

101 ↗

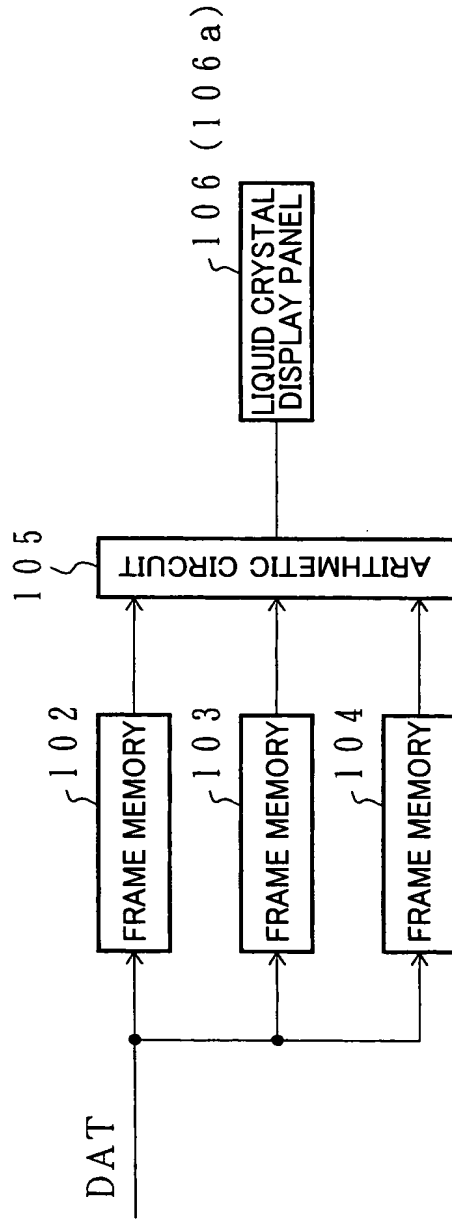


FIG. 20

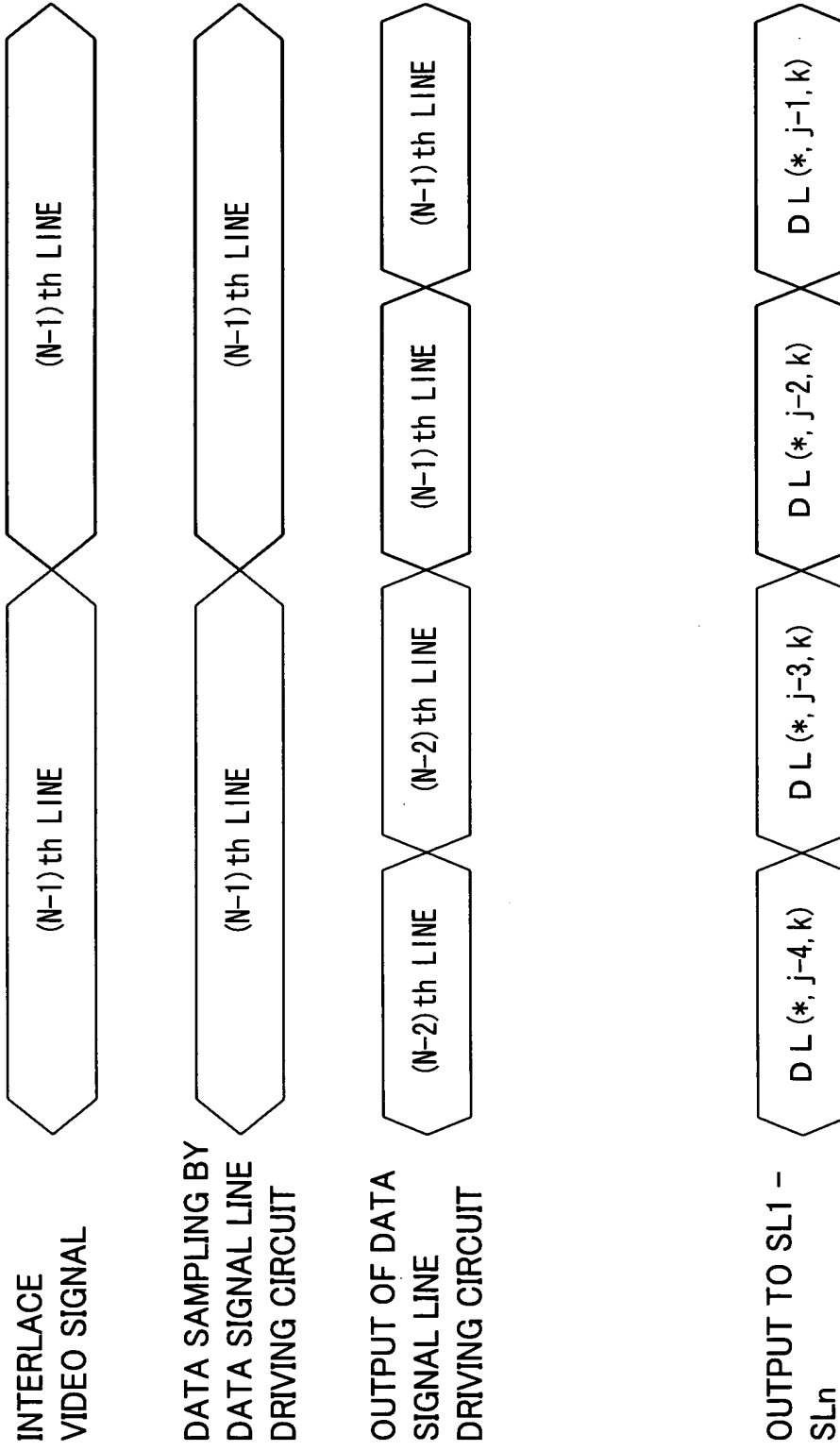


FIG. 21

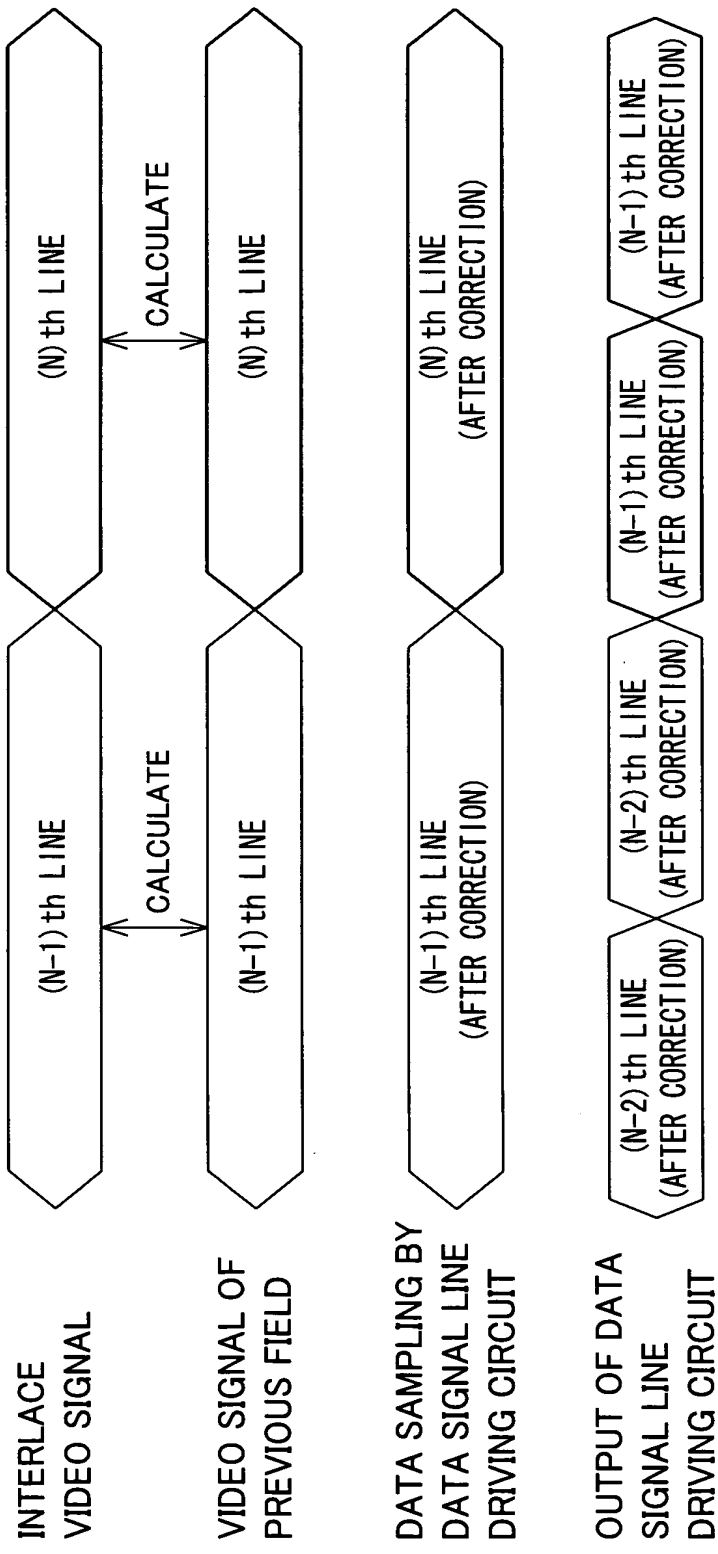


FIG. 22

ODD-NUMBERED FIELD

EVEN-NUMBERED FIELD

1st LINE OF A FRAME
2nd LINE OF A FRAME
3rd LINE OF A FRAME
4th LINE OF A FRAME
5th LINE OF A FRAME
6th LINE OF A FRAME

1st LINE OF THE FIELD
2nd LINE OF THE FIELD
3rd LINE OF THE FIELD

•
•
•

1st LINE OF THE FIELD
2nd LINE OF THE FIELD
3rd LINE OF THE FIELD

•
•
•

FIG. 23

ODD-NUMBERED FIELD

EVEN-NUMBERED FIELD

1st LINE OF A FRAME
2nd LINE OF A FRAME
3rd LINE OF A FRAME
4th LINE OF A FRAME
5th LINE OF A FRAME
6th LINE OF A FRAME

1st LINE OF THE FIELD
1st LINE OF THE FIELD
2nd LINE OF THE FIELD
2nd LINE OF THE FIELD
3rd LINE OF THE FIELD
3rd LINE OF THE FIELD

•
•
•

DUMMY DATA
1st LINE OF THE FIELD
1st LINE OF THE FIELD
2nd LINE OF THE FIELD
2nd LINE OF THE FIELD
3rd LINE OF THE FIELD
3rd LINE OF THE FIELD

•
•
•

FIG. 24

